

**BAXI**



# **DUO-TEC COMPACT SPARE PARTS CATALOGUE**

**- June 2014 -**



## HOW TO READ THE SPARE PARTS CATALOGUE

In the spare part catalogue, after the exploded diagrams, there are the components lists of the boilers; this is the meaning of the different columns:

Pos. Identification number of the component in the exploded diagram of the boiler.

Description Short description of the component.

Code BAXI S.p.A. code of the component.

Tab. XX XX is the exploded diagram number of the boiler taken into consideration.

### Until 31th December 2011

From serial number Date (year and week) identifying the beginning of production of a component (taken from the serial number of the boiler).  
e.g. B005: year 2000 (B identifies the decade 2000-2009; 0 identifies the year) – 5th week.  
If the box is empty, the component is in use from the beginning of production of the boiler.

To serial number Date (year and week) identifying the end of production of a component (taken from the serial number of the boiler).  
e.g. B012: year 2000 (B identifies the decade 2000-2009; 0 identifies the year) – 12th week.  
If the box is empty, the component is still in use.

Interchangeable It identifies the interchangeability between the new component and the old one.  
YES: components are interchangeable.  
NO: components are not interchangeable.

### From 1st January 2012

From serial number Date (year and week) identifying the beginning of production of a component (taken from the serial number of the boiler).  
e.g. 1201: year 2012 (1 identifies the decade 2010-2019; 2 identifies the year) – 01th week.  
If the box is empty, the component is in use from the beginning of production of the boiler.

To serial number Date (year and week) identifying the end of production of a component (taken from the serial number of the boiler).  
e.g. 1225: year 2012 (1 identifies the decade 2010-2019; 2 identifies the year) – 25th week.  
If the box is empty, the component is still in use.

Interchangeable It identifies the interchangeability between the new component and the old one.  
YES: components are interchangeable.  
NO: components are not interchangeable.

## TABELLA COLLEGAMENTO CODICE CALDAIA - ESPLOSO TABLEAU CONNECTION CODEX CHAUDIERE - VUE ECLATEE BOILERS CONNECTION BOARD - EXPLODED VIEW

<b>BOILER CODE</b>	<b>BOILER DESCRIPTION</b>	<b>EXPLODED REF.</b>
<b>CODICE CALDAIA</b>	<b>DESCRIZIONE CALDAIA</b>	<b>RIF. ESPLOSO</b>
<b>CODIGO CALDERA</b>	<b>DESCRIPCION CALDERA</b>	<b>REF. EXPLOSIONADO</b>
<b>CODE CHAUDIÈRE</b>	<b>DESCRIPTION CHAUDIÈRE</b>	<b>RÉF. EXPLOSÉE</b>
710897401/2	DUOTEC COMPACT 1.24	Tab 469
710897301/2	DUOTEC COMPACT 20	Tab 440
710676501/2	DUOTEC COMPACT 24	Tab 440
710676601/2	DUOTEC COMPACT 28	Tab 440

# DUO-TEC COMPACT

29/08/2014

Pos	Code	Description code	71067601/2 28	710676501/2 24	710897301/2 20	710897401/2 1,24	To serial number	From serial number	Interchangeable:
2	710651000	LEFT PANEL ASSEMBLY	•	•	•	•			
3	710650900	RIGHT PANEL ASSEMBLY	•	•	•	•			
4	710674900	FRONTAL PANEL ASSEMBLY	•	•	•	•			
10	5409020	FLUE ADAPTOR HE	•	•	•	•			
11	5409010	GASKET ADAPTOR	•	•	•	•			
18	710385100	MIXER PL20 C1500106	•	•	•	•			
21	5402050	WASHER-SEALING	•						
22	710057000	FAN NRG118		•	•		C152		YES
22	710692300	FAN NRG118	•			•			
22	710692300	FAN NRG118		•	•			1202	
27	710573100	SEALED CHAMBER REAR PANEL		•	•	•			
27	710573300	SEALED CHAMBER REAR PANEL	•						
29	710283600	COMBUSTION CHAMBER REAR INSUL.	•	•	•	•			
30	5411020	INSULATION PANEL	•	•	•	•			
32	5671940	HEAT EXCHANGER BASIC 4E	•	•	•	•			
33	5403130	O-RING 22 x 3	•	•	•	•	1311		
33	710963000	OR 21,5X3 EP70 TFL	•	•	•	•		1312	YES
34	8380860	FIXING CLIP	•	•	•	•			
35	710630400	EXPANSION VESSEL 7 L	•	•	•	•			
36	710039400	EXPANSION VASSEL PIPE		•	•	•			
36	710583600	EXPANSION VASSEL PIPE	•						
41	710647800	BURNER WORGAS PRX0138	•	•	•	•	1418		
41	711570700	BURNER/FLANGE 4E ASS	•	•	•	•		1419	YES
48	710039800	CONDENSING WATER TRAY 80/60	•	•	•	•			
49	5409280	TAP ADAPTOR	•	•	•	•			
59	710126200	CABLE IGNITION ELECTRODE B&P	•	•	•	•			
63	710220000	ELECTRODE - IGNITION	•	•	•	•			
65	710424200	FLAME SENSOR B&P	•	•	•	•			
70	710608800	PUMP/EXCHANGER PIPE ASSEMBLY	•						
70	710676800	PUMP/EXCHANGER PIPE ASSEMBLY		•	•	•			
72	710158600	PUMP UPO 15-60 1V L4	•	•	•	•			
73	710493600	AIR VENT PUMP LUNA4	•	•	•	•			
75	5409240	GROMMET - PIPE ASSY D.10		•	•	•			
76	5686670	DHW PLATE EXCHANGER 12 PLATES		•	•				
76	5686680	DHW PLATE EXCHANGER 14 PLATE				•			
77	5404520	DHW PLATE EXCHANGER GASKET		•	•	•			
80	710266700	RETURN/FILLING TAP ASSY SYSTEM	•						
81	710682200	DHW CARTRIDGE 8L		•	•	•			
90	710046600	FILLING TAP ASSY		•	•	•			
91	5652030	DRAINING TAP	•						
91	710045500	DISCHARGE TAP CONNECTION		•	•	•			

# DUO-TEC COMPACT

29/08/2014

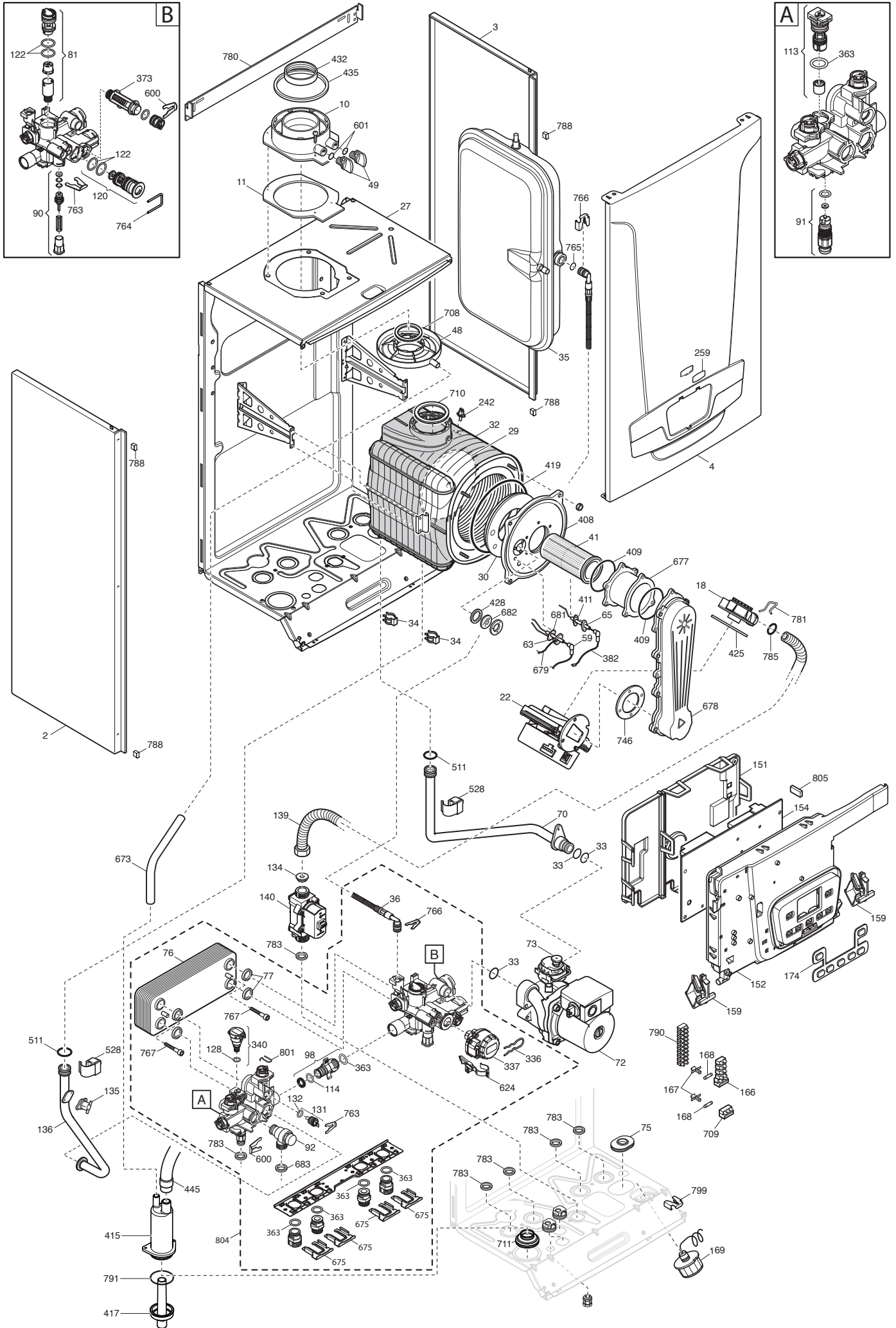
Pos	Code	Description code	710897401/2 1,24	710897301/2 20	710676501/2 24	710676601/2 28					To serial number	From serial number	Interchangeable:
92	9951170	SAFETY VALVE 3 BAR	•										
92	710109400	HYDRAULIC SAFETY VALVE 3 BAR		•	•	•							
98	5672770	BY-PASS PIPE ASSEMBLY	•										
98	710046300	BY-PASS CONNECTION ASSY		•	•	•							
99	8380850	FIXING CLIP	•										
102	5683540	3 WAY VALVE/MB GROUP LUNA3	•										
113	617100	BY-PASS GR.	•										
113	710048300	BY-PASS CARTRIDGE		•	•	•							
114	710046400	O-RING d.15,54X2,62		•	•	•							
119	605760	HYDRAULIC VENTURI ASSEMBLY	•										
120	600750	SPACER ASSEMBLY	•										
120	710144100	3WV CARTRIDGE		•	•	•							
122	710047800	O-RING d.23,47X2,62		•	•	•							
128	710048800	O-RING d.8,9X1,9		•	•	•							
131	710056200	NTC SENSOR HONEYWELL		•	•	•				1422			
131	721309400	NTC SENSOR NICKEL		•	•	•					1423		YES
132	710049100	O-RING d.11,91X2,62 OR115		•	•	•							
134	710192500	INJECTOR B&P 4,4mm	•	•	•								
134	710458300	INJECTOR B&P D.4,6mm			•	•							
135	9950760	THERMOSTAT - LIMIT	•	•	•	•							
136	710609000	FLOW PIPE	•										
136	710676900	FLOW PIPE		•	•	•							
139	710061300	FLEXIBLE GAS PIPE	•	•	•	•							
140	710089600	GAS VALVE B&P SGV100	•	•	•	•							
151	710566100	CONTROL PANEL COVER	•	•	•	•							
152	710650400	PANEL PLATE/DISPLAY ASSEMBLY	•	•	•	•							
154	710731400	PCB B&P HAGC03 DUOTEC	•	•	•	•							
159	710569200	HINGE	•	•	•	•							
166	5688430	TERM.BOARD/DOUBLE FUSE HOLDER	•	•	•	•							
167	5405340	FUSE HOLDER	•	•	•	•							
168	9950580	FUSE	•	•	•	•							
169	710584000	MANOMETER D.28	•										
169	710673600	MANOMETER D.28		•	•	•							
174	710126300	7 PUSH BOTTON PANEL B&P	•	•	•	•							
192	5404650	SEALING WASHER G 3/4	•										
242	8435270	NTC SENSOR	•	•	•	•							
259	710419300	BRAND BAXI	•	•	•	•							
336	8380680	CLIP-RETAINING	•										
336	710047400	CLIP - 3WV MOTOR HEAD		•	•	•							
337	5694580	3 WAY VALVE MOTOR	•										
337	710047300	3WV MOTOR HEAD		•	•	•							
340	710109100	PRESSURE SENSOR	•	•	•	•							

# DUO-TEC COMPACT

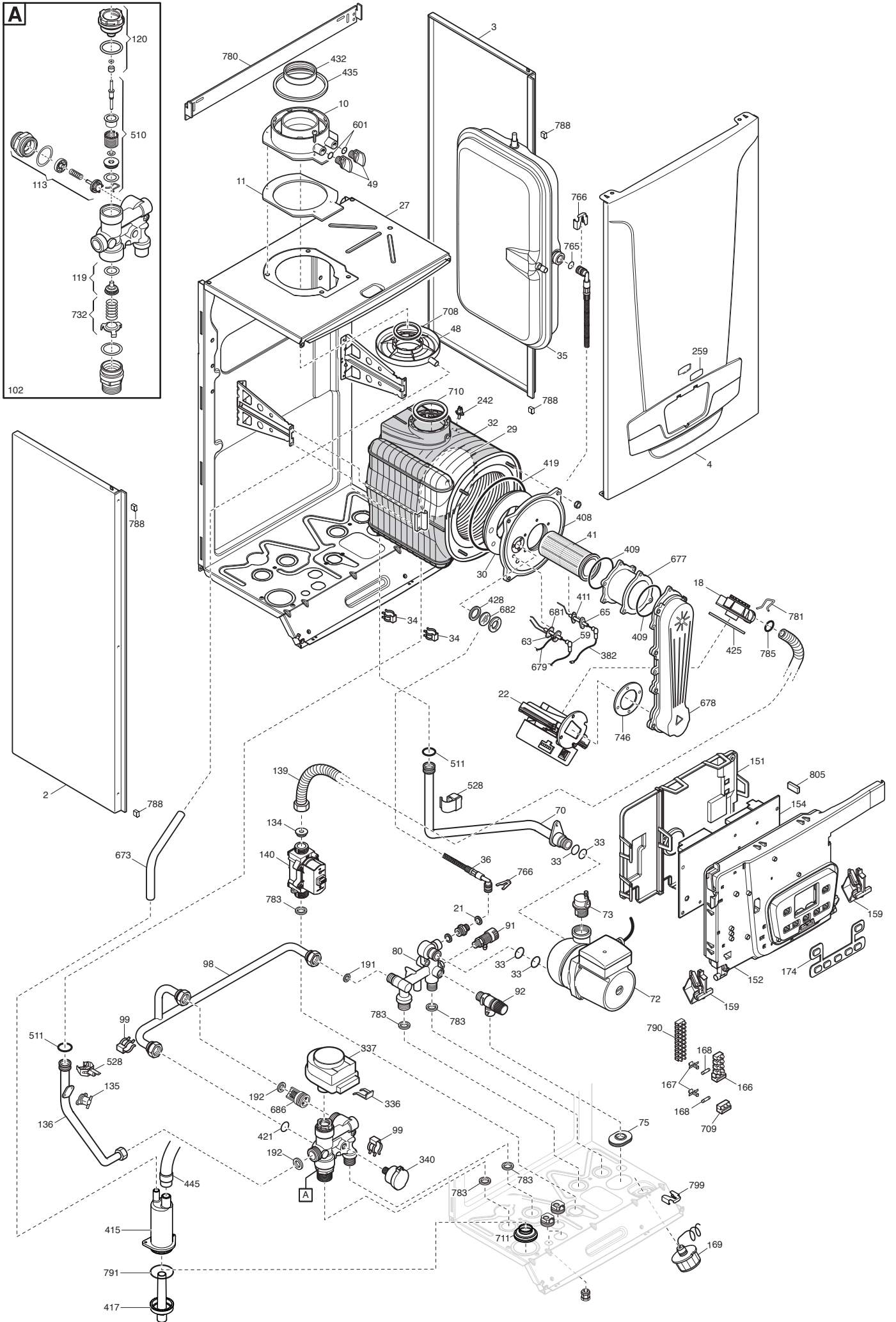
29/08/2014

Pos	Code	Description code	710897401/2 1,24	710897301/2 20	710676501/2 24	710676501/2 28	710676601/2	To serial number	From serial number	Interchangeable:
363	710045300	O-RING d.17,96X2,62		•	•	•				
373	710047100	CH FILTER		•	•	•				
382	710127500	CABLE DETECTION ELECTRODE	•	•	•	•				
408	5212900	COMB.CHAMBER UPPER COVER	•	•	•	•		1418		
408	711571000	COMB.CHAMBER UPPER COVER	•	•	•	•			1419	YES
409	5413530	GASKET BURNER	•	•	•	•		1418		
409	721543100	BURNER GASKET ASS.	•	•	•	•			1419	YES
411	710185200	FLAME SENSING ELEC.GASKET	•	•	•	•				
415	710016700	SYPHON BODY	•	•	•	•				
417	710522300	PLUG SYPHON	•	•	•	•				
419	5411000	COMB.CHAMBER GASKET	•	•	•	•				
421	5408270	O-RING 11,91 X 2,62 NBR	•							
425	710042400	VENTURI GASKET	•	•	•	•				
428	5409290	GASKET	•	•	•	•				
432	5410420	WASHER DIA 60 OUTLET BEND	•	•	•	•				
435	5407550	WASHER DIA100 OUTER ADAPT SEAL	•	•	•	•				
445	710061700	PIPE EXCH/SYPHON	•	•	•	•				
510	600760	DHW PADDLE ASSEMBLY	•							
511	5404600	O.R. 17,86x2,62	•	•	•	•				
528	710439300	SENSOR TODS	•	•		•				
600	710045400	CLIP FLAT d.18		•	•	•				
601	5408560	O-RING 8,73x1,78	•	•	•	•				
624	710046200	HALL SENSOR ASSY		•	•			1219		
624	710976600	HALL SENSOR ASSY				•				
624	710976600	HALL SENSOR ASSY		•	•				1220	YES
673	710061600	PIPE CONNECTION SYPHO	•	•	•	•				
675	710046100	CLIP BRASS ADAPTOR		•	•	•				
677	5212930	EXTENSION	•	•	•	•				
678	710051400	AIR-GAS CONVEYOR ASS.LUNA4	•	•	•	•				
679	710127100	CABLE GROUND FOR ELECTRODE	•	•	•	•				
681	710185300	IGNITION ELECTRODE GASKET	•	•	•	•				
682	5211800	SIGHT GLASS	•	•	•	•				
683	5408810	GASKET GAS RAMP	•	•	•	•				
708	5410970	GASKET WITH DOUBLE LIP	•	•	•	•				
709	8423160	TERMINAL BLOCK	•	•	•	•				
710	5411030	GASKET	•	•	•	•				
711	710039600	SYPHON GASKET	•	•	•	•				
732	620210	SPRING ASS.	•							
746	5410900	VENTURI GASKET	•	•	•	•				
763	710046700	CLIP FLAT d.12		•	•	•				
764	710047500	CLIP U d.3		•	•	•				
765	710045700	O-RING d.9,19 X 2,62	•	•	•	•				











**BAXI**

**BAXI S.p.A.  
Via Trozzetti, 20  
36061 BASSANO DEL GRAPPA (VI)  
ITALY  
Tel. +390424517111  
Telefax +390424517379  
E-mail. [service@baxi.it](mailto:service@baxi.it)**